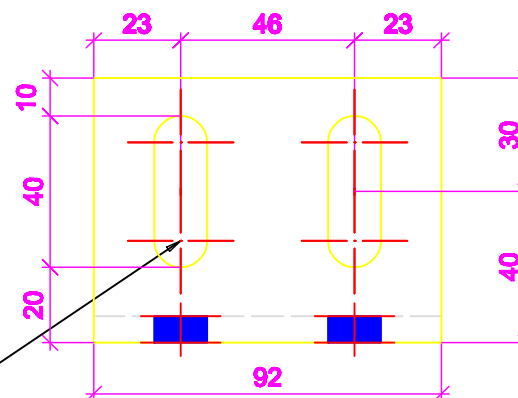


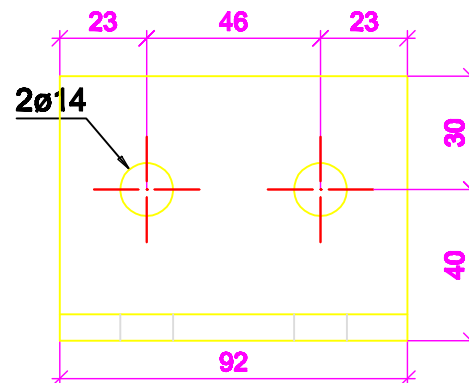
160x L70X7x92
S235JRG2 - 1:2

p1

2LL ϕ 14-40



2 ϕ 14



PROFESIONAL
PROIECT BRASOV



COD UNIC DE IDENTIFICARE: J 08/31/00/01.000
TEL:0368-42307

DETALII ELEMENTE INDIVIDUALE

Antreprenor :

Desenat : *ing. C-tin Hrimiuc*

Verificat : *ing. Dorel Mitrofan*

Data : 12/5/2014

Beneficiar : *SC Concept s SRL*

Proiect : *Cale de rulare Pod rulant 3.2 tone*

Nr. proiect : *PP2014 11-001*

Material : *S235JRG2*

Scara : 1:2

Pozitie : *p1*

Revizie : 0

Nr. plansa : 1

Qty

In ass.

160

Ec1